

EzRay Air Portable

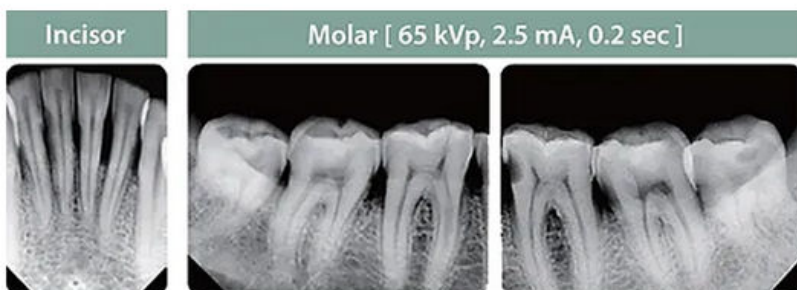


Lightweight, portable innovation

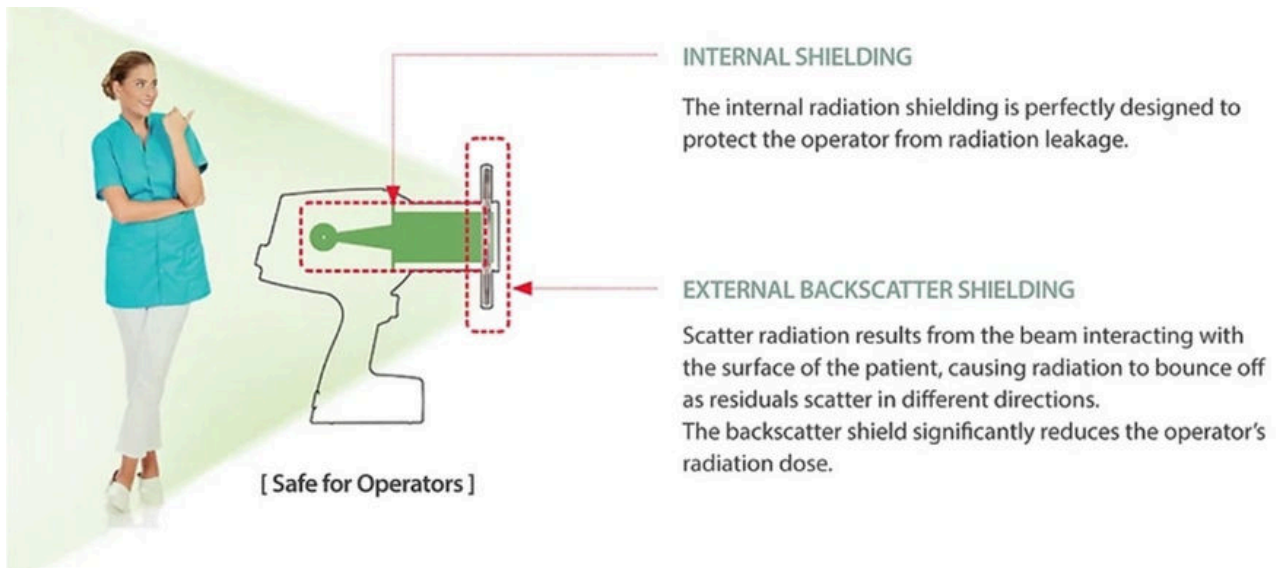
- WEIGHT INNOVATION WITH CNT (CARBON NANO TECHNOLOGY)
- DOUBLE SCATTER SHIELD DESIGN
- LOWER COOLDOWN TIMES, FASTER WORKFLOW
- NO WARMUP TIME

Weight Innovation with CNT (Carbon Nano Technology)

The world's first dental application of Carbon Nano Technology. The EzRay Air Portable is a lightweight portable X-ray device that is designed for easy handling and stable positioning, delivering optimal image quality for your intra-oral X-ray images.



Double scatter shield design for operator safety



Lower cooldown times, faster workflow

The EzRay Air Portable's unique carbon-nano technology efficiencies, which are not available in traditional x-ray generation methods, means there is a 75% reduction in cool-down time between shots, when compared to leading competitor's devices.

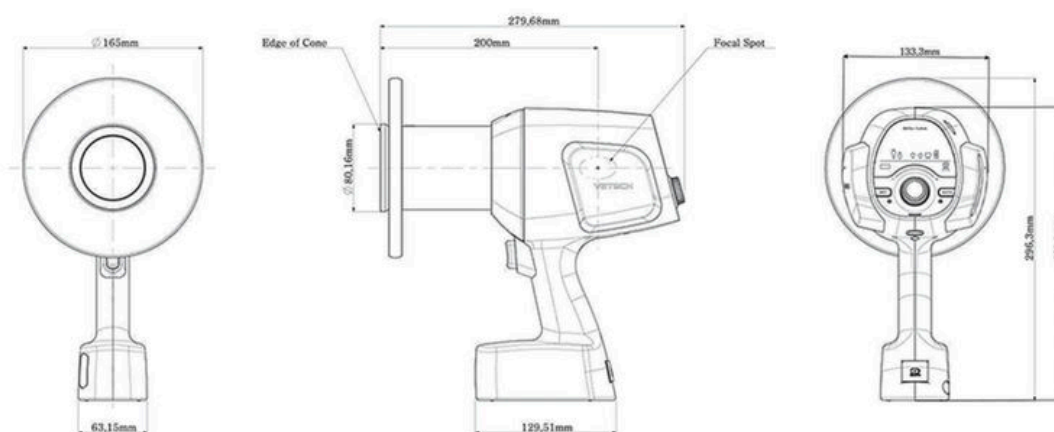
This allows users to spend less time waiting for their x-ray to be ready and more time diagnosing and treating the patient.

No warmup time

With no initial start-up delay for conventional x-ray sources to warm up, the EzRay Air Portable's Carbon Nano Technology optimizes workflow by allowing for quicker exposure after you initially turn on the device.

DIMENSIONS

[Unit : mm]



SPECIFICATIONS

[EzRay Air Portable: VEX-P300]

Focal Spot	0.4 mm (IEC 60336)
Tube Voltage / Current	65 kV / 2.5 mA
Exposure Time Range	0.05 - 0.5 sec
Total Filtration	Min. 1.5 mm Al
Source to Skin Distance	200 mm
X-ray Field	Default : 60 mm Round, 30x40 mm Rectangular / Optional : 20x30 mm Rectangular
Maximum duty cycle	1 : 30
Power Input	22.2 V
Weight	1.4 kg [2.2 lbs.] *without backscatter shield

*The specifications are subject to change without prior notice.