

PLANMECA

Planmeca ProX™

Flexible intraoral X-ray unit



The advanced Planmeca ProX™ intraoral X-ray unit provides easy and precise positioning, a straightforward imaging process and top-quality images in high resolution. It is a highly beneficial and effective 2D imaging option for all dental clinics.

Adaptable intraoral imaging

Planmeca ProX adapts to both the short-cone and long-cone imaging techniques. The unit's steady X-ray imaging arm provides accurate and drift-free positioning of its lightweight tube head.

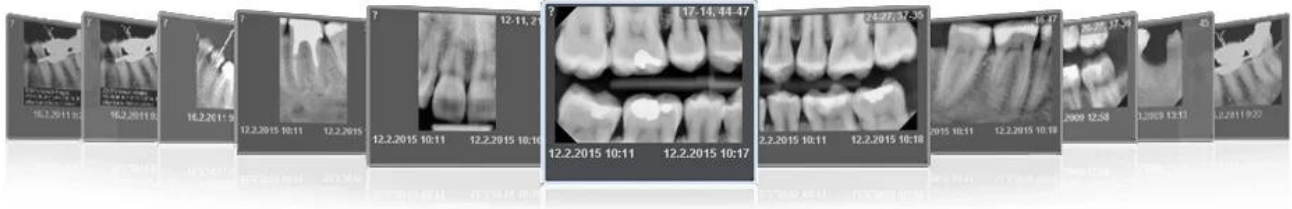



Forma
dental supplies

PLANMECA

Quick imaging parameter settings

Planmeca ProX is equipped with pre-programmed settings for different exposure value combinations. Its imaging parameters are automatically retrieved according to the selected exposure region and diagnostic requirement. You can also adjust these values manually when you need to.



Intraoral sensor integration

Combining the Planmeca ProX intraoral X-ray unit with the Planmeca ProSensor® HD digital intraoral sensor elevates user-friendliness to the next level – allowing images to be displayed on-screen just seconds after exposure.

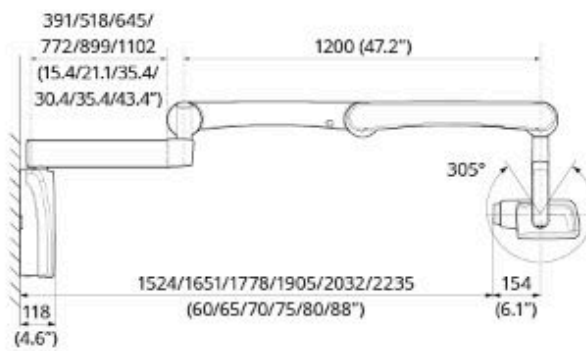
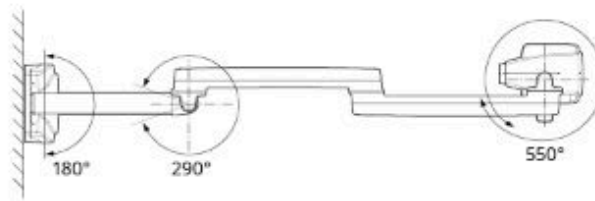
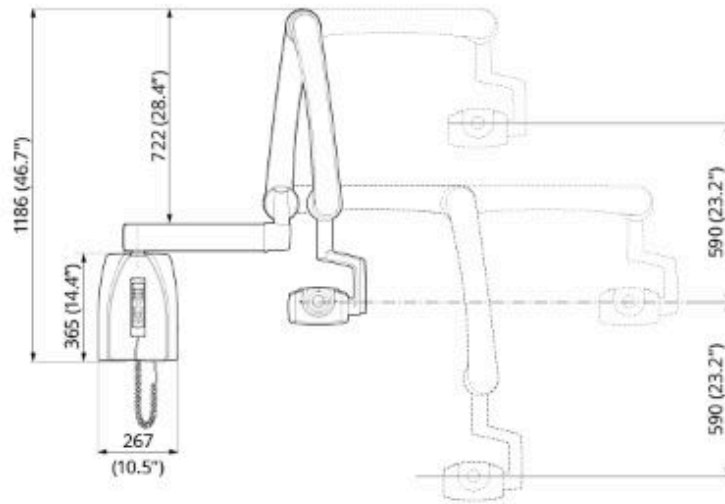
Numerous installation options

As every dental clinic is different, it is important to offer different types of options for integrating equipment. Planmeca ProX can be installed in various ways to match the individual layouts and workflow preferences of any clinic.



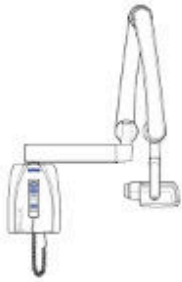
PLANMECA

Dimensions

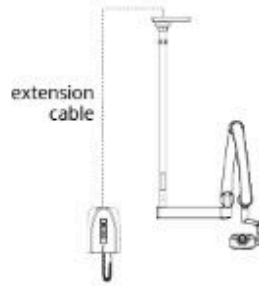


PLANMECA

Installation options



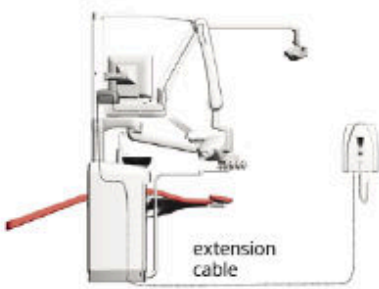
Standard wall mount



Ceiling mount



Single stud mount



Dental unit mount



Mobile stand



Floor column

Technical specifications

Technical data

Generator Constant potential, microprocessor controlled, operating frequency 66 kHz

X-ray tube Toshiba D-041SB

Focal spot size 0.4 mm according to IEC 60336

Cone diameter 60 mm (2.36 in.), Rectangular 33 x 43 mm (1.30 x 1.69 in.)

Max. symmetrical radiation field \varnothing 60 mm at SSD 200 mm, \varnothing 60 mm at SSD 300 mm, according to IEC 806

Total filtration min. 2.5 mm Al equivalent at 70 kV according to IEC 60522

Inherent filtration 1 mm Al equivalent at 70 kV according to IEC 60522

Anode voltage 60, 63, 66, 70 kV, \pm 2 kV

Anode current 8, 7, 6, 5, 4, 3, 2 mA \pm (5% + 0.2 mA)

Exposure times 0.01–2 sec. \pm (5% + 0.001 sec.), 24 steps

SSD (Source-Skin Distance) Standard/Long 200 mm (8 in.)/300 mm (12 in.)

Mains voltage 100 V~/110-115 V~/220-240 V~, 50/60 Hz

Duty cycle 1:30, automatic control

Electrical classification Class I Type B

Weight total 29 kg (64 lbs), tube head with standard cone 4.2 kg (9.3 lbs), tube head with long cone 4.5 kg (10 lbs)

Colour White (RAL 9016)